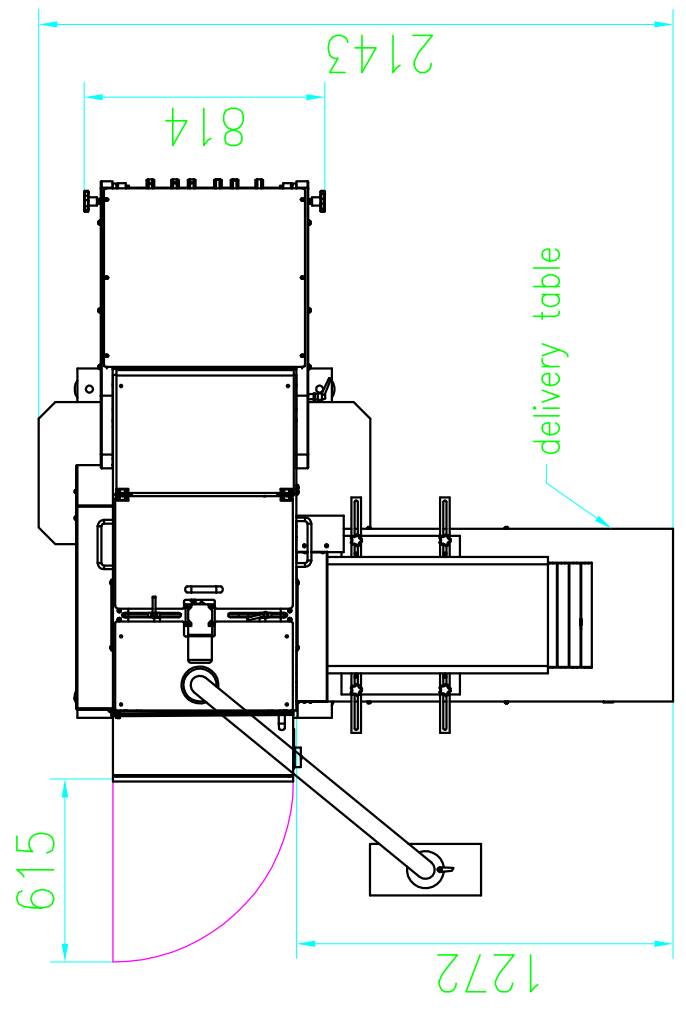


electrical power
power supply: 220V 6.5A

pressure air
air requirements: 7bar/98PSI 85NL/min(3cfm)



Electrical supply:
Voltage: 3x400/230V+N+PE
Power: 2,8 kW

Technical alternations reserved!

IN-LOG Mailroom Technologies GmbH All rights reserved! Any reproduction in part or whole without written permission of IN-LOG is prohibited!		DIMENSION SHEET
	Scale: 1:25	Compensating stacker CS/25
		CS-25-Commander